

**ENDURA**<sup>TM</sup>

# ***Twelve Unit Rapid Charger***

*FOR RECHARGEABLE LMR BATTERIES*



***User Manual***  
*Model TWC12M*

# ENDURA™ TWC12M

## Table of Contents

<b>Topic</b>	<b>Page</b>
Introduction	1
Important	2
Caution	2-3
Features	4-5
Replacing A Charging Pod	6
Charging A Battery	7 – 8
Battery Fault Conditions	9
Warranty And Service	10
Specifications	11

## Introduction

Thank you for purchasing an ENDURA™ TWC12M, Twelve Unit Rapid Charger. This high quality product is designed for charging two-way radio batteries whether on or off a radio. Using six replaceable pods, the TWC12M can charge twelve batteries at the same time and the batteries may be the same or different chemistries. Separate LEDs confirm the charge status of each battery.

The six replaceable pods may be mixed. For example, six different pods could be installed allowing two batteries for each of six different radio brands to be charged.

With the appropriate charging pod installed, TWC12M can charge these battery chemistries: lithium ion (Li-Ion), lithium polymer (LiPo), nickel-metal hydride (NiMH), or nickel cadmium (NiCd). For a complete list of charging pods available for this charger, contact your Power Products dealer or call customer service at **800-529-1618**.

## Important

1. Read all Caution statements below and this User Manual before attempting to charge a battery.
2. Always charge new batteries completely before initial use. Recycle batteries when they can no longer be used. Do not discard unwanted batteries in the trash or incinerate. Batteries exposed to fire or excessive heat may explode.
3. For best battery performance, charge NiCd and NiMH batteries when they are fully discharged.

## Caution

1. Never charge alkaline or dry cell batteries with this charger. Do not charge Li-Ion, LiPo, NiMH, or NiCd batteries unless they are designed with overcharge protection.
2. Use charger in areas protected from the weather. Do not expose the charger to rain, any liquids, or excessive moisture.

## Caution (continued)

3. Do not attempt to charge a battery without first installing the appropriate charging pod. Use only charging pods designed for the ENDURA TWC12M charger. Disconnect charger from power supply before installing, adjusting, or removing the charging pod.
4. Make sure contacts in charging pod and battery are clean. Do not allow wire or metal objects to touch contacts in charging pod or any internal part of the charger.
5. Do not remove the charger's housing or make any modification to the charger.
6. Use only the power supply provided with the ENDURA TWC12M charger. If a replacement power supply is required, order part number TWC12M-PS. Use of other power supplies may damage the charger or batteries you may be attempting to charge.



**CAUTION:** TO REDUCE THE RISK OF ELECTRIC SHOCK, DO NOT REMOVE COVER. NO USER SERVICEABLE PARTS ARE INSIDE. REFER ANY SERVICING TO QUALIFIED SERVICE PERSONNEL.



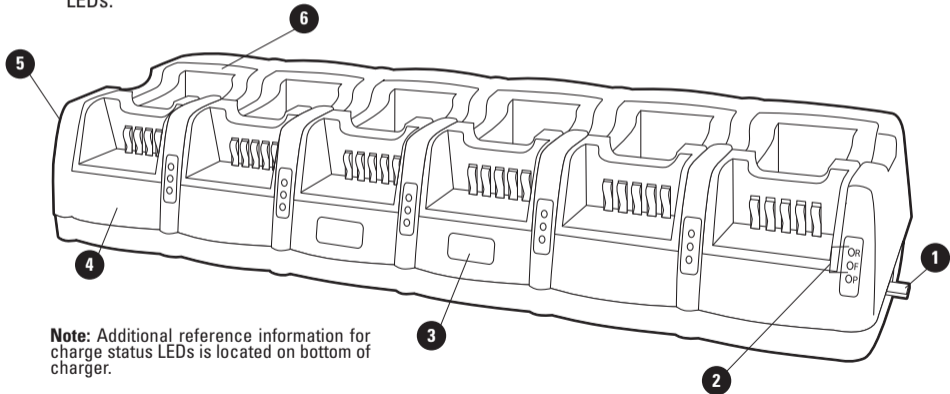
The lightning flash and arrowhead within the triangle is a warning sign alerting you of 'dangerous voltage' inside the product.



The exclamation point within the triangle is a warning sign alerting you of important instructions accompanying the product.

## ENDURA TWC12M Features

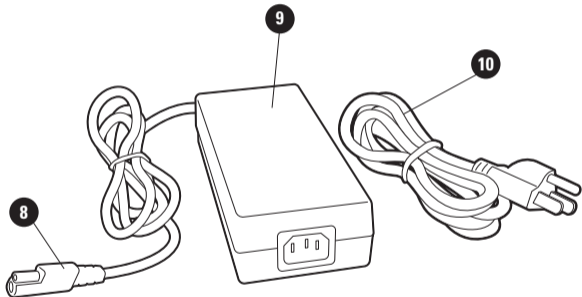
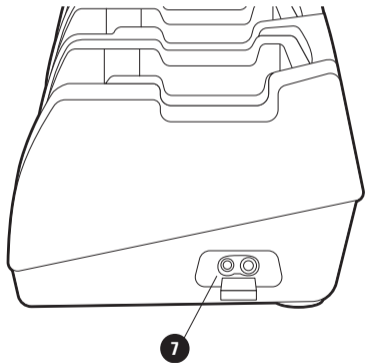
1. DC power connection (see next page).
2. Charge status LEDs – for front and rear positions.
3. Quick reference information for charge status LEDs.
4. TWC12M – rapid charger base.
5. Power on/off switch (left side of unit).
6. Removable charging pod for two batteries (shown for first position only).



**Note:** Additional reference information for charge status LEDs is located on bottom of charger.

## ENDURA TWC12M Features (continued)

7. DC power connection.
8. DC plug from power supply.
9. TWC12M-PS - power supply for TWC12M (UL listed).
10. TWC6M-PC - power cord to connect TWC12M-PS with AC wall outlet.



**Note:** DC power connection (7) is a custom design that securely holds the DC plug (8).

## Replacing A Charging Pod

The charging pod is made from quality materials and designed to provide years of service when properly used. In most cases, the charging pod will only be replaced when you want to use the charger with a different battery. Each pod charges two batteries for a specific radio; the two batteries may have different capacities or chemistries.

### Follow these steps to change the charging pod:

1. Obtain a charging pod made specifically for the TWC12M. Confirm that the charging pod is compatible with the battery you want to charge.
2. Unplug the power supply from the TWC12M.
3. The charging pod is secured to the base with a single screw. Turn the locking screw on the bottom of the rear charging pod counter-clockwise until it no longer holds the pod. Lift the charging pod from the charging base.
4. Insert the replacement charging pod into the charging base and secure with the locking screw. Do not over tighten the screw.
5. Inspect the charging contacts to ensure they are clean and unobstructed.
6. Connect the power supply to the TWC12M. You are now ready to charge a battery compatible with the charging pod.



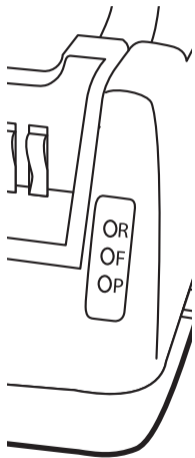
## Charging A Battery

1. Confirm that the charging pod and battery are compatible.
2. Insert the DC plug from the power supply into the opening on the right side of TWC12M, connect the AC wall plug to a 120V outlet, and turn the power switch (left side) to the on position. The status LEDs marked "P" illuminate GREEN to confirm the front and rear positions for each pod are receiving power.
3. Place the battery to be charged in either the front or rear position of the charging pod. The status LED marked "F" or "R" will illuminate to confirm which position is charging the battery. The battery may be charged while attached to the radio and two batteries may be charged simultaneously.

**R** - Status LED for rear position.

**F** - Status LED for front position.

**P** - Illuminates GREEN when TWC12M is connected to power.



## Charging A Battery (continued)

4. When a battery is placed in the charging pod and while charging, the charge status LED (F or R) will illuminate RED with no flashing. If the charge status LED is red and flashes, a fault has been detected. The flash pattern represents a specific fault condition. See section **Fault Conditions** for details.
5. When the battery is charged to 80% of capacity, the charge status LED will change to GREEN and begin to flash. It is recommended that the battery be charged to at least 80% capacity before use.
6. The charge status LED will illuminate GREEN with no flashing when the battery is fully charged.
7. After removing a fully charged battery, the charge status LED will illuminate ORANGE for a few seconds. Allow the charge status LED to go off before placing another battery in the charging pod.
8. The TWC12M is designed to operate at room temperatures between 15°C and 30°C (59° F – 86° F). Do not charge batteries at temperatures below 0°C (32° F) or above 45°C (113° F).

## Fault Conditions

When the F or R charge status LED flashes RED, a fault condition exists. There are three different flash patterns, each indicating a specific type of fault. The flash patterns and fault conditions are as follows:

<b>Flash Pattern</b>	<b>Fault Type</b>
Flashes 1 Time	Indicates charging complete, but battery is under charged. Battery voltage is below minimum level required. This warning is provided after the rapid charging stage is complete.
Flashes 2 Times	Indicates battery contact is “open” and current is not passing through the (+) and (-) contacts on the battery. This warning is provided after the initial diagnostic stage is complete. Check charging pod to confirm compatibility with battery.
Flashes 3 Times	Indicates over-current condition caused by battery short circuit. Have the battery checked by a qualified technician. Do not attempt charging the battery if a short circuit exists.

## Warranty And Service During Warranty

The ENDURA TWC12M is made from high quality materials and designed to provide years of reliable service. The following warranty applies:

Power Products Unlimited, Inc. (PPU) warrants this product to be free from defects in workmanship and materials for one-year from date of purchase by the end user. This warranty applies to the original purchaser and is void if the product has been altered, misused, damaged, neglected, or if repair is required because of normal wear and tear. This is the only warranty made by PPU. In no event will PPU, its affiliates, subsidiaries, related entities, or their respective directors, officers, or employees, be liable for any damages beyond repair or replacement as described above, including without limitation, indirect, incidental, or consequential damages.

For service under warranty, return the product along with dated proof of purchase to the retailer where purchased or to Power Products. If returning directly to Power Products, follow these instructions:

1. Send item to Power Products – Warranty Service Department, 2170 Brandon Trail, Alpharetta, GA 30004. For your protection, we recommend you obtain proof of delivery for your shipment.
2. Include with your product, dated proof of purchase, your name, email address, daytime telephone number, and return address (street address only; return shipments cannot be made to a P.O. Box).
3. All items sent become the property of Power Products and will not be returned.

## ENDURA TWC12M Specifications

Dimensions (W x L x H)	509 x 148 x 94 mm / 20.0 x 5.8 x 3.7 inches
Weight (Charger Only)	1.63 kg / 3.6 lbs
Weight (Power Supply)	0.86 kg / 1.9 lbs
Compatible Chemistries	Li-Ion / LiPo / NiMH / NiCd
Recommended Operating Temperature	15° C – 30° C / 59° F – 86° F
Storage Temperature	0° C – 65° C / 32° F - 149° F
Power Supply Input (TWC12M-PS)	100V – 240V AC / 50 Hz – 60 Hz / 2.2A (max)
Charger Input	12-24V DC / 12.5A
Charge Rate	800 mA (10.6V – 13.5V)
Product Approval	FCC, CE, UL (power supply)

Specifications subject to change without notice.

This device complies with Part 15 of the FCC Rules. Operation is subject to the following conditions: (1) this device may not cause harmful interference, and (2) this device must accept any interference received, including interference that may cause undesired operation.

## ENDURA™ TWC12M Accessories

Part Number	Description
TWC12M-MB	Bracket for mounting on a wall or horizontal surface.
TWC12M-PS	Power supply (included with TWC12M).
TWC6M-PC	Power cord for TWC12M-PS (included with TWC12M).
TWC6M-HW	Hard wire kit for in-vehicle installations.



ENDURA Chargers By Power Products  
Smart • Adaptable • Reliable™

2170 Brandon Trail • Alpharetta, GA 30004  
[www.powerproducts.com](http://www.powerproducts.com)

© 2014 Power Products Unlimited, Inc. Power Products is a registered trademark of Power Products Unlimited, Inc. ENDURA and Smart • Adaptable • Reliable are trademarks of HT Mobile Products, Inc. All rights reserved.